

UNIKA 710 DOUBLE SOUS PLAN



Kitchen Sinks

Code: N203 S50

UNIKA R15 SINK 760x450 SOUSPLAN 2 CUVES



DETAILS

Edge/Installation Type	Undermount
Finish	Foster brushed
Material	AISI 304 stainless steel
Texture	Foster brushed
Base	80 cm
Dimensions	760x450 mm
Standard fittings	Fixing hooks, gasket, drain, overflow and siphon, boxed packing
Mixer holes	No standard holes
Built-in hole	View technical data sheet

Drainer No

Width 76 cm

Bowl dimension 340x400mm

Number of bowls 2 bowls

Waste fitting 3,5" drain

FEATURES

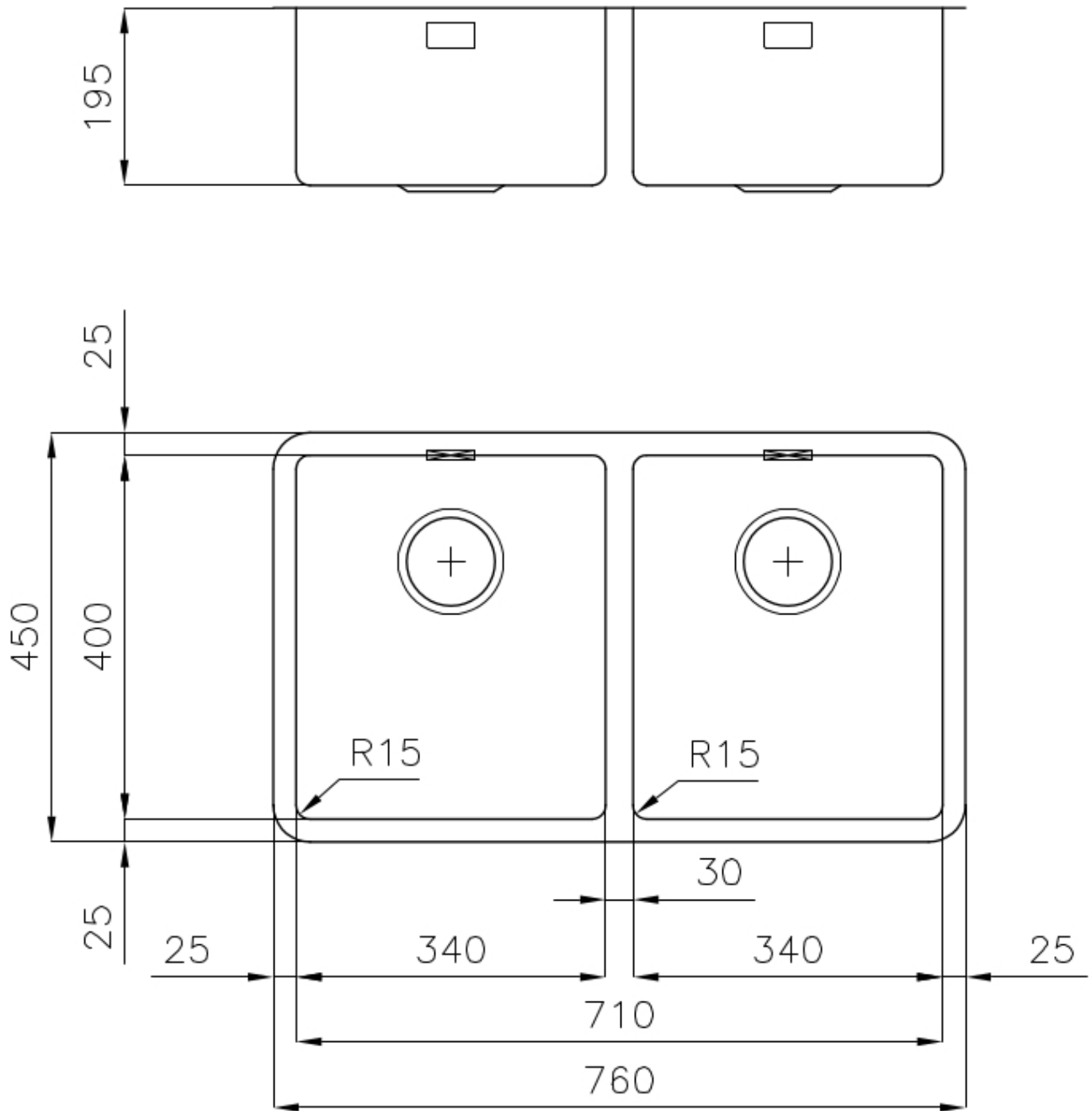
High thickness 1mm thick steel. A significant thickness, which guarantees the maximum sturdiness and durability.

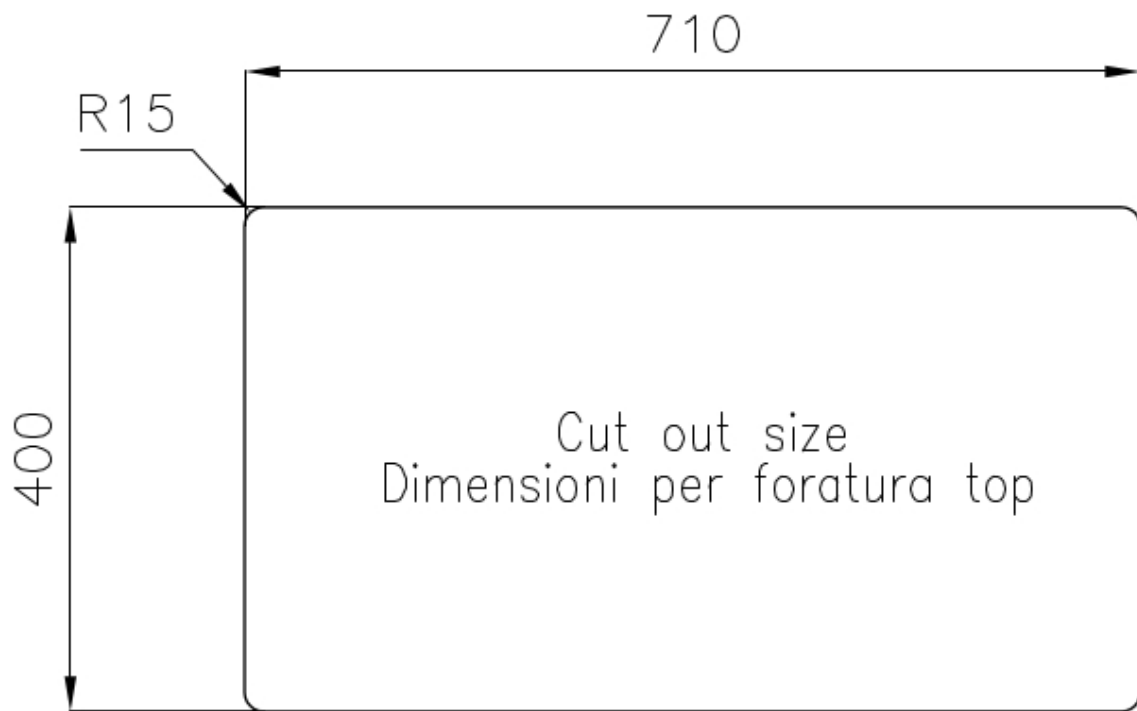
Basket 3,5" waste fitting The drain is equipped with a large 3.5" drain, with the practical basket cap that prevents the discharge of solid parts.

Perimetral overflow The overflow is always a security on the Foster sinks that prevents the overflow of water in case of oversights. The perimeter drain solution improves aesthetics thanks to its square and essential shape.

Small radius Bowls with squared shapes with a modern design and an increased capacity, for a minimal aesthetics connected with an extreme practicality.

TECHNICAL DATA

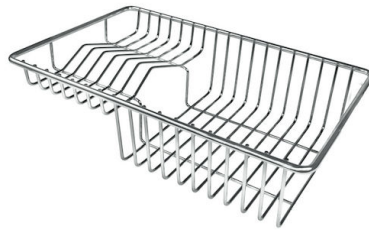




OPTIONAL ACCESSORIES



CUVETTE PLASTIQUE BLANCHE
A153 A00



GRILLE POR.ASSIETTES INOX
mm214x379
A100 C03
* only in combination with the accessory
A644 A01



PANIER INOX POUR CUVE 34x40
CM
A611 F00



PLANCHE DE DECOUPE CRYSTAL
23x41 CM
A631 C00



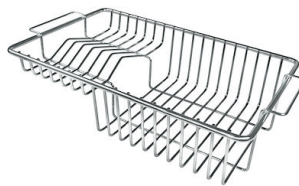
PLANCHE DE DECOUPE DOUBLE
HDPE
A644 A01



PLANCHE DE DECOUPE HDPE
27x42 CM
A657 F01



CUVETTE INOX PERFOREE
A151 F00
* only in combination with the accessory
A644 A01



GRILLE PORTE-ASSIETTES INOX
250x425
A100 B01



KIT RÂPES ET PLANCHE DE
DECOUPE HDPE
A159 A01
* only in combination with the accessory
A644 A01

OPTIONAL AUTOMATIC WASTE FITTINGS



VIDAGE FADE LIGHT
A407 A17



VIDAGE FADE PUSH INOX
A407 A16